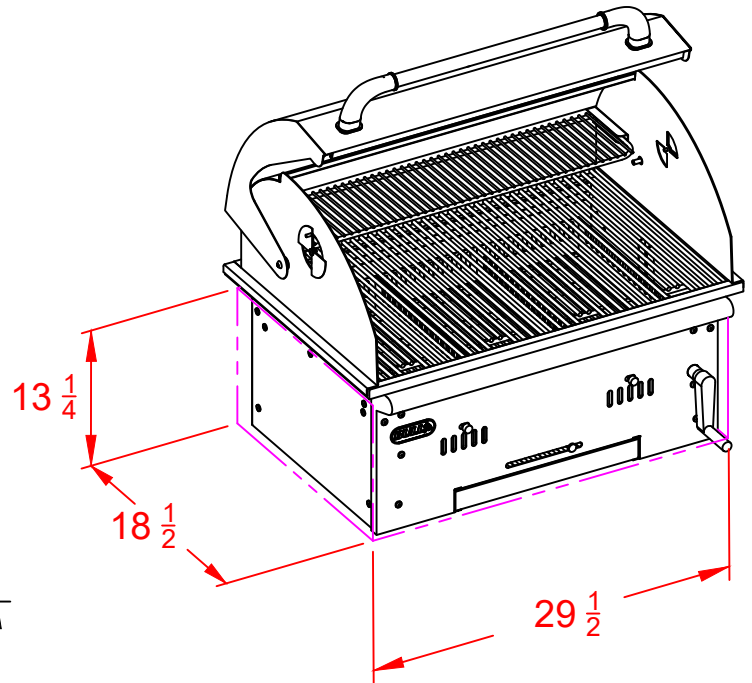




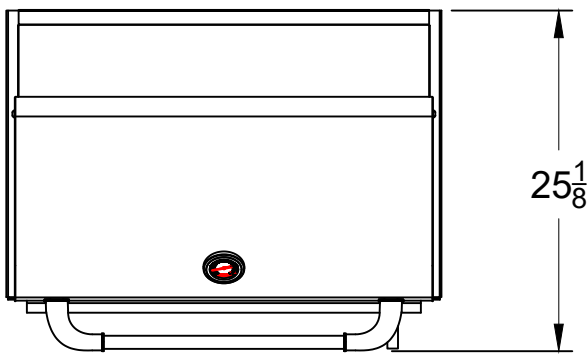
WWW.BULLBBQ.COM

# BISON PREMIUM CHARCOAL GRILL

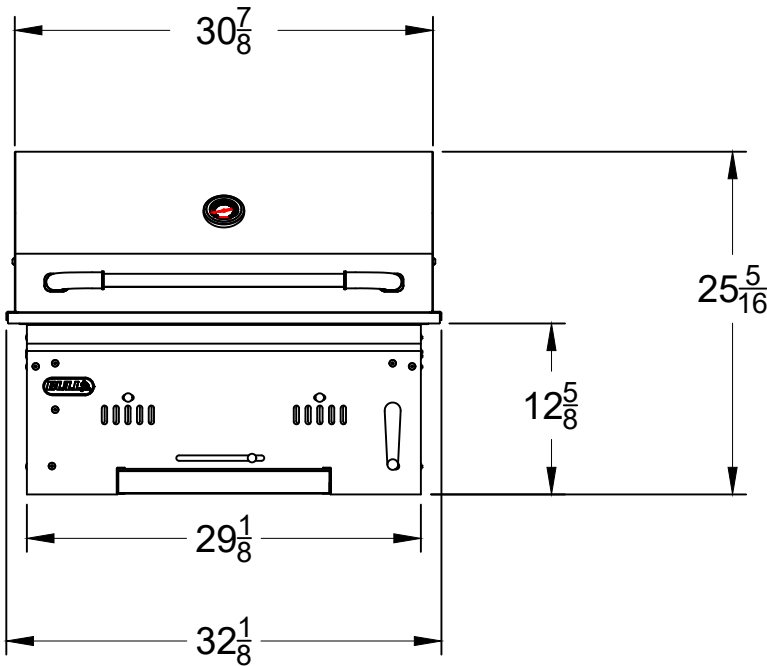
SPEC SHEET  
ITEM# 88787



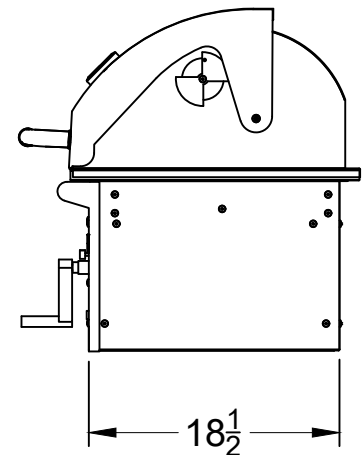
PERSPECTIVE VIEW  
WITH INSTALLATION  
CUT OUT DIMENSIONS



TOP VIEW



FRONT VIEW



RIGHT SIDE VIEW

NOTES:

- 1) ALL DIMENSIONS ARE IN INCH UNITS
- 2) REFER TO PERSPECTIVE VIEW FOR INSTALLATION CUTOUT DIMENSIONS.